

CIC-14 REPORT COLLECTION
REPRODUCTION
COPY

LA-2468

C.3

LOS ALAMOS SCIENTIFIC LABORATORY
OF THE UNIVERSITY OF CALIFORNIA ○ LOS ALAMOS NEW MEXICO

DOSIMETRY FOR THE LITTLE EVA CRITICAL ASSEMBLY
NEUTRON FLUX, SPECTRUM, AND TISSUE DOSE EVALUATIONS

LOS ALAMOS MAIL LAB. LIBS.
3 9338 00320 9755

LEGAL NOTICE

This report was prepared as an account of Government sponsored work. Neither the United States, nor the Commission, nor any person acting on behalf of the Commission:

A. Makes any warranty or representation, expressed or implied, with respect to the accuracy, completeness, or usefulness of the information contained in this report, or that the use of any information, apparatus, method, or process disclosed in this report may not infringe privately owned rights; or

B. Assumes any liabilities with respect to the use of, or for damages resulting from the use of any information, apparatus, method, or process disclosed in this report.

As used in the above, "person acting on behalf of the Commission" includes any employee or contractor of the Commission, or employee of such contractor, to the extent that such employee or contractor of the Commission, or employee of such contractor prepares, disseminates, or provides access to, any information pursuant to his employment or contract with the Commission, or his employment with such contractor.

Printed in USA. Price \$.50. Available from the
Office of Technical Services
U. S. Department of Commerce
Washington 25, D. C.

LA-2468
INSTRUMENTS
TID-4500 (15th Ed.)

LOS ALAMOS SCIENTIFIC LABORATORY
OF THE UNIVERSITY OF CALIFORNIA LOS ALAMOS NEW MEXICO

REPORT WRITTEN: May 1960

REPORT DISTRIBUTED: November 21, 1960

DOSIMETRY FOR THE LITTLE EVA CRITICAL ASSEMBLY
NEUTRON FLUX, SPECTRUM, AND TISSUE DOSE EVALUATIONS

by

J. A. Sayeg
D. G. Ott
P. S. Harris

This report expresses the opinions of the author or authors and does not necessarily reflect the opinions or views of the Los Alamos Scientific Laboratory.

Contract W-7405-ENG. 36 with the U. S. Atomic Energy Commission



ABSTRACT

The leakage neutron flux and spectrum and the neutron and gamma dose versus distance relations were determined for the Little Eva critical assembly. These measurements were accomplished with the threshold detectors Pu²³⁹, Np²³⁷, U²³⁸, and S³² for the evaluation of fast neutron flux, spectrum, and neutron tissue dose; and bare and cadmium covered gold foils were used for the evaluation of the thermal flux. The gamma dose was determined with tetrachloroethylene chemical dosimeters. These measurements show this assembly to have the lowest gamma to neutron dose ratio of any assembly tested to date.

ACKNOWLEDGMENTS

The authors are greatly indebted to Wendell A. Biggers and Leon J. Brown of Group J-12 and to Herbert H. Helmick of Group N-2 for their assistance in making possible the availability and operation of the Little Eva critical assembly.

CONTENTS

	Page
Abstract	2
Acknowledgments	2
Chapter 1 Introduction	5
Chapter 2 Materials and Methods	6
2.1 Description of Little Eva	6
2.2 Neutron Dosimetry	9
2.2.1 Neutron Flux Measurements	9
2.2.2 Sulfur Pellet Beta Counter	17
2.2.3 Gold Gamma Counter	17
2.2.4 Tissue Dose Evaluations	18
2.3 Gamma Dose Measurements	19
Chapter 3 Results and Discussion	20
References	24

ILLUSTRATIONS

Figure 1 Little Eva critical assembly set-up in trailer	7
Figure 2 Truck and trailer used for transporting Little Eva critical assembly	8
Figure 3 The dual scintillation counting shield K-2 and associated electronics	11
Figure 4 The voltage divider and balancing circuits used with the counting shield K-2	12
Figure 5 Decay curves for equivalent foils of Pu ²³⁹ , Np ²³⁷ , and U ²³⁸	15
Figure 6 Plutonium ²³⁹ ratio curves normalized to 3 hours post irradiation time	16

TABLES

	Page
Table 1 Foil Mass Data for Calibration of the Dual Counting Shield K-2	14
Table 2 Three Hour Calibration Constants for the Dual Counting Shield K-2	14
Table 3 Effective Cross Sections in B ¹⁰ Spheres Weighted for Different Fission Spectra	14
Table 4 Neutron Flux versus Distance Relations for the Little Eva Critical Assembly	21
Table 5 Neutron Flux and Tissue Dose Spectral Evaluations for the Little Eva Critical Assembly	22
Table 6 Neutron and Gamma Dose versus Distance Relations for the Little Eva Critical Assembly	22
Table 7 Thermal Neutron Flux versus Distance Relations for the Little Eva Critical Assembly	22
Table 8 Comparison of Little Eva and Godiva II Neutron Flux and Tissue Dose Spectra	23

CHAPTER 1

INTRODUCTION

The purpose of the present investigation was to provide a calibration of the leakage neutron flux and neutron and gamma tissue doses as a function of distance for the Little Eva critical assembly.

CHAPTER 2

MATERIALS AND METHODS

2.1 Description of Little Eva

The Little Eva critical assembly consists of a pseudo-sphere arrangement of U^{235} (approximately 22 kg) mounted on the table of a drill press (1). The critical mass consists of 1/2 in. cubes surrounded by tuballoy (U^{238}) tamper. The exterior dimensions of the tuballoy tamper are approximately that of a cube 8-1/2 in. on a side. The coarse control is obtained by varying the relative amounts of tamper and active material. The fine control of the assembly is a 2 in. cubic block of tuballoy which can be moved in or out from the critical arrangement of U^{235} by a small motor and gear system. The assembly is mounted in the corner of a trailer (see Fig. 1). A cab houses the control cables necessary for remote operation (Fig. 2). The cab control and reactor trailer can be separated by approximately 1/4 mile during operation.

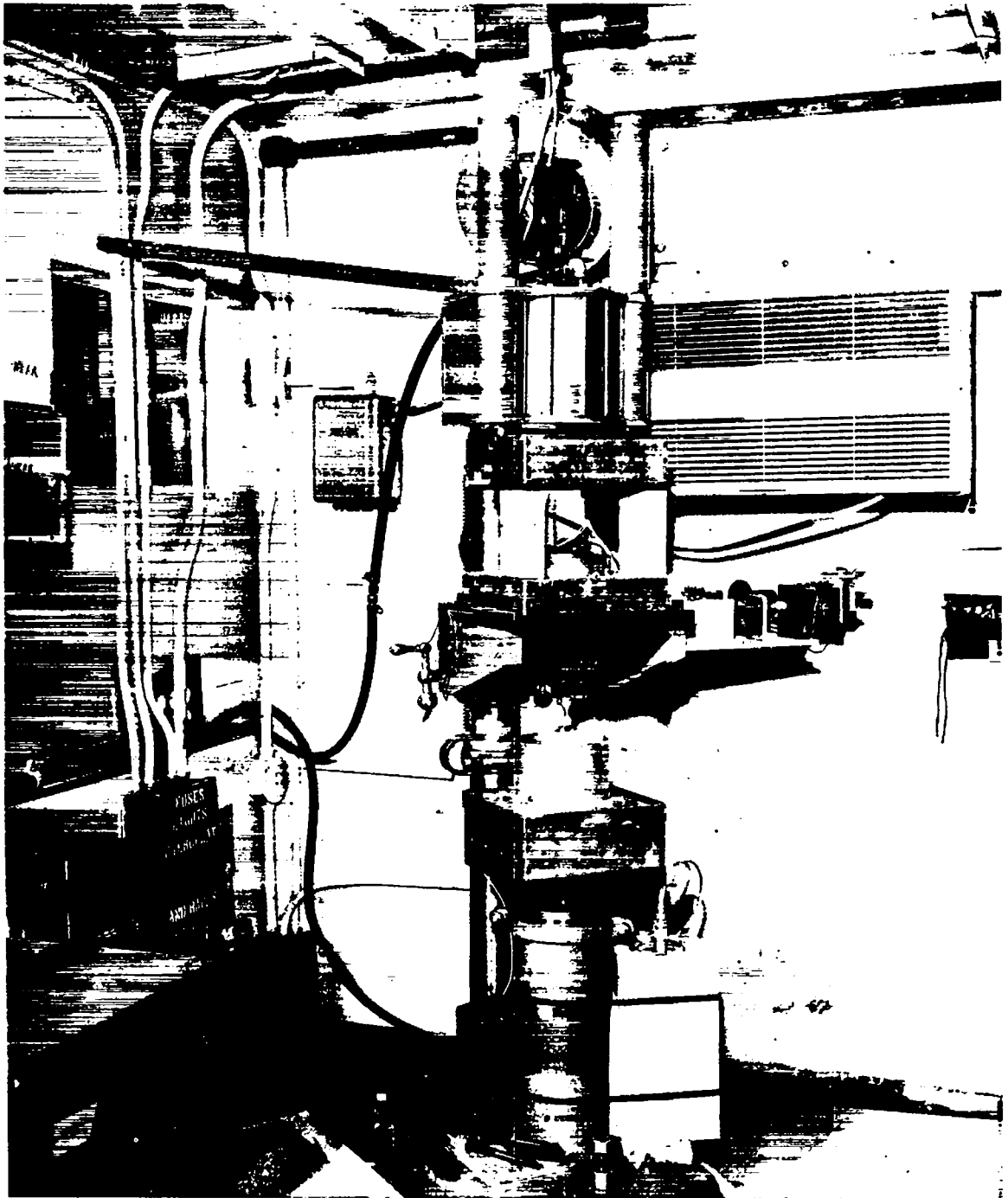
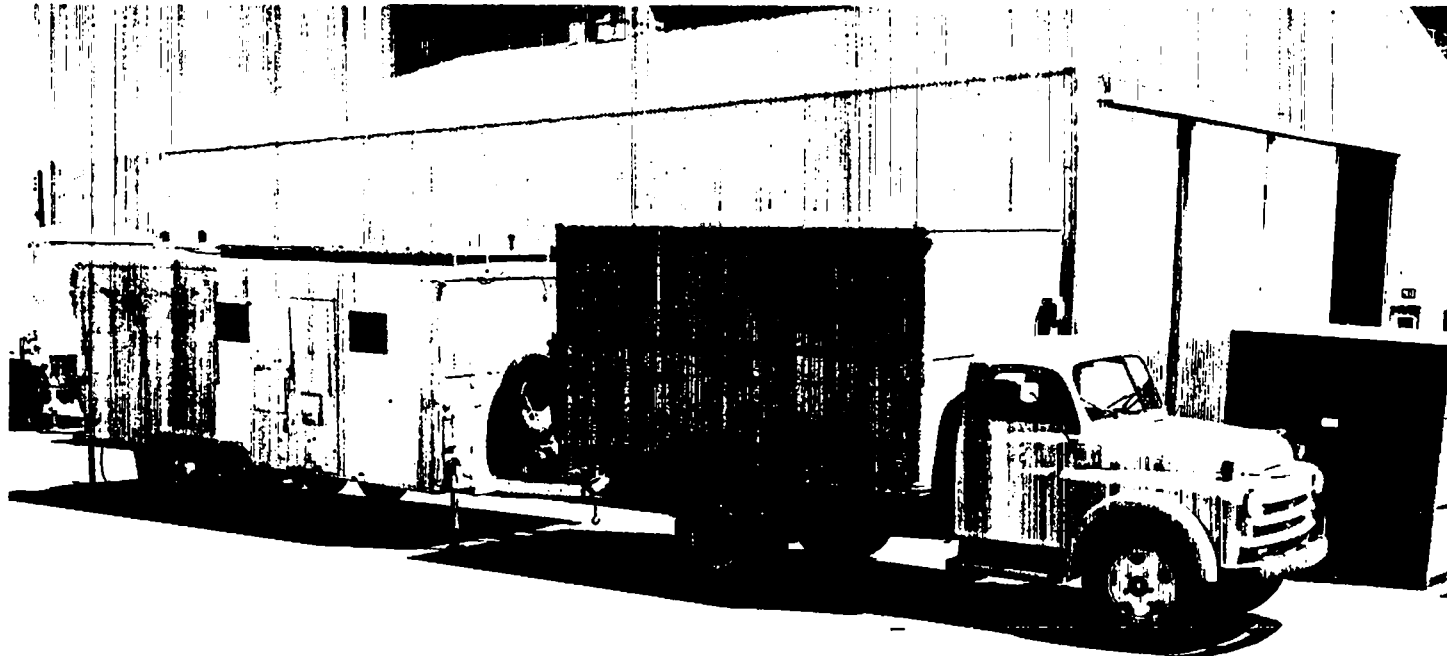


Fig. 1. Little Eva critical assembly set-up in trailer.



-8-

Fig. 2. Truck and trailer used for transporting Little Eva critical assembly.

2.2 Neutron Dosimetry

2.2.1 Neutron Flux Measurements

The method of Hurst and his co-workers (2-4) was used for the measurement of fast and thermal neutron fluxes. The threshold detectors Pu²³⁹ (surrounded by 2 cm of B¹⁰), Np²³⁷, U²³⁸, and S³² were used to measure neutron fluxes above the following threshold energies:

Pu ²³⁹ (with 2 cm of B ¹⁰)	0.004 Mev
Np ²³⁷	0.75 Mev
U ²³⁸	1.5 Mev
S ³²	2.5 Mev

The foils Pu²³⁹, Np²³⁷, and U²³⁸ were 3/4 in. in diameter, copper canned, and varied in mass from 0.10 to 3.0 g. The S³² foils were 1-1/2 in. in diameter and 3/8 in. thick and weighed 20 g.

To facilitate handling, the fission foils Pu²³⁹, Np²³⁷, and U²³⁸ were placed in steel spheres containing 2 cm of B¹⁰. The foils were surrounded by cadmium, which served to absorb any thermal neutrons reaching the foil area.

The thermal neutron flux ($E_n < 0.5$ ev) was estimated by bare and cadmium difference measurements of gold foil activation. The gold foils used were 1/2 in. in diameter and 0.010 in. thick.

The sulfur and bare and cadmium covered gold foils were placed in a separate holder constructed of Dural. The holder was approximately 8 in. long, 2 in. wide, and 3/8 in. thick. The sulfur foil was centered in the holder with gold foils at each end. The bare and cadmium covered gold foils were separated by approximately 6 in.

Fission foil gamma ray activities were measured using a scintillation counter (Fig. 3). The foil was placed between 2 opposing RCA No. 6655 phototubes with 1-3/4 in. diameter, 1-1/2 in. thick, thallium activated, sodium iodide crystals. A 1/4 in. thick lead absorber was interposed between each crystal and the foil to reduce the natural background activity of the foil. The outputs of the phototubes were connected to a Model 250N preamplifier, thence to a Model 250 amplifier, a Model 120 dual channel analyzer, and finally to 2 Model 775 scalers (see Fig. 3). These electronic components provided a means of counting gamma rays simultaneously above two different threshold bias levels. The bias levels chosen were 0.51 and 1.2 Mev. The phototubes were balanced by adjusting the voltage on each tube. The voltage divider and balancing circuits are shown in Fig. 4.

The counting system was calibrated according to the most recent procedures adopted by the Oak Ridge group (4). Equivalent fission foils of Pu^{239} , Np^{237} , and U^{238} were fabricated

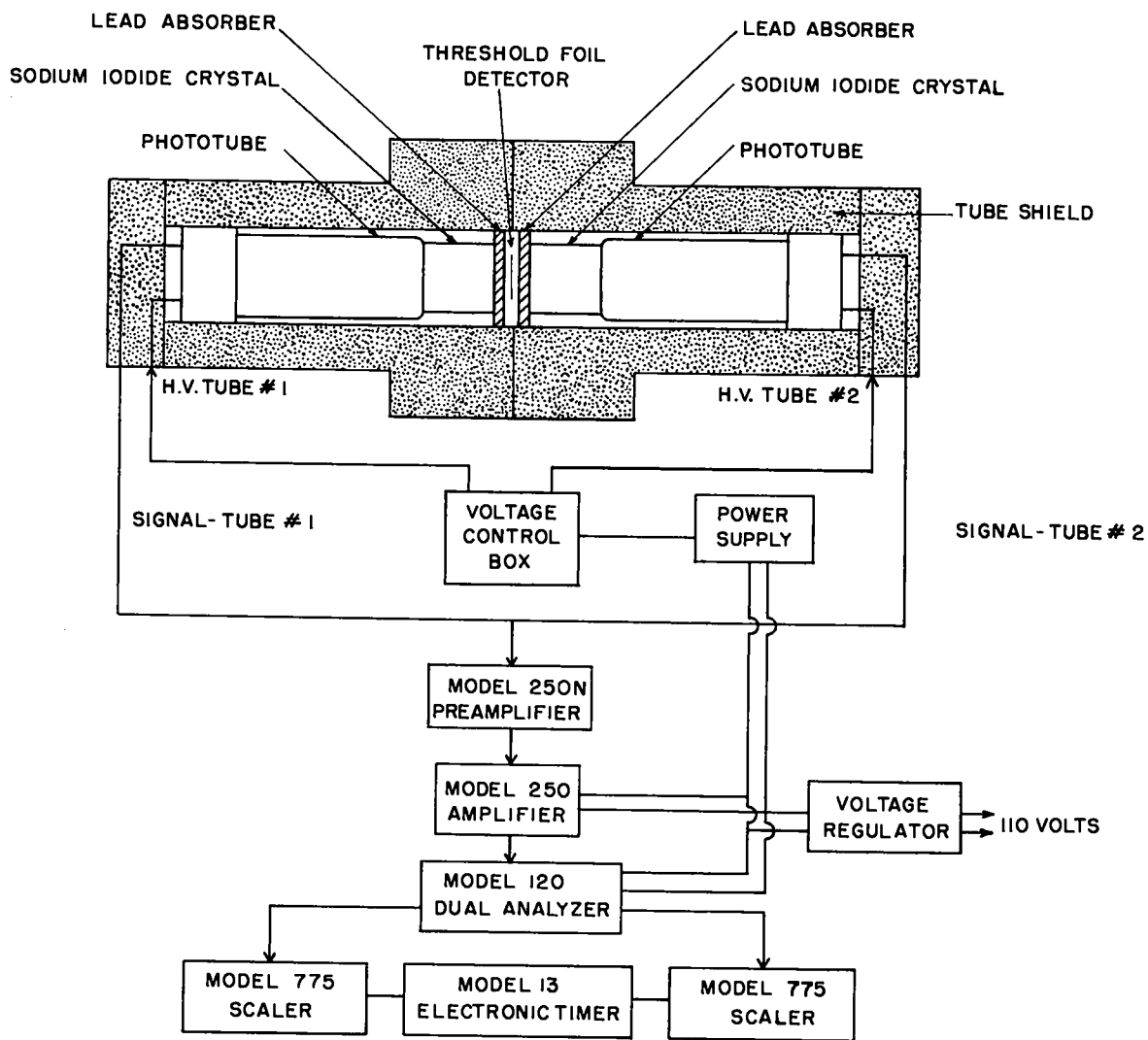


Fig. 3. The dual scintillation counting shield K-2 and associated electronics.

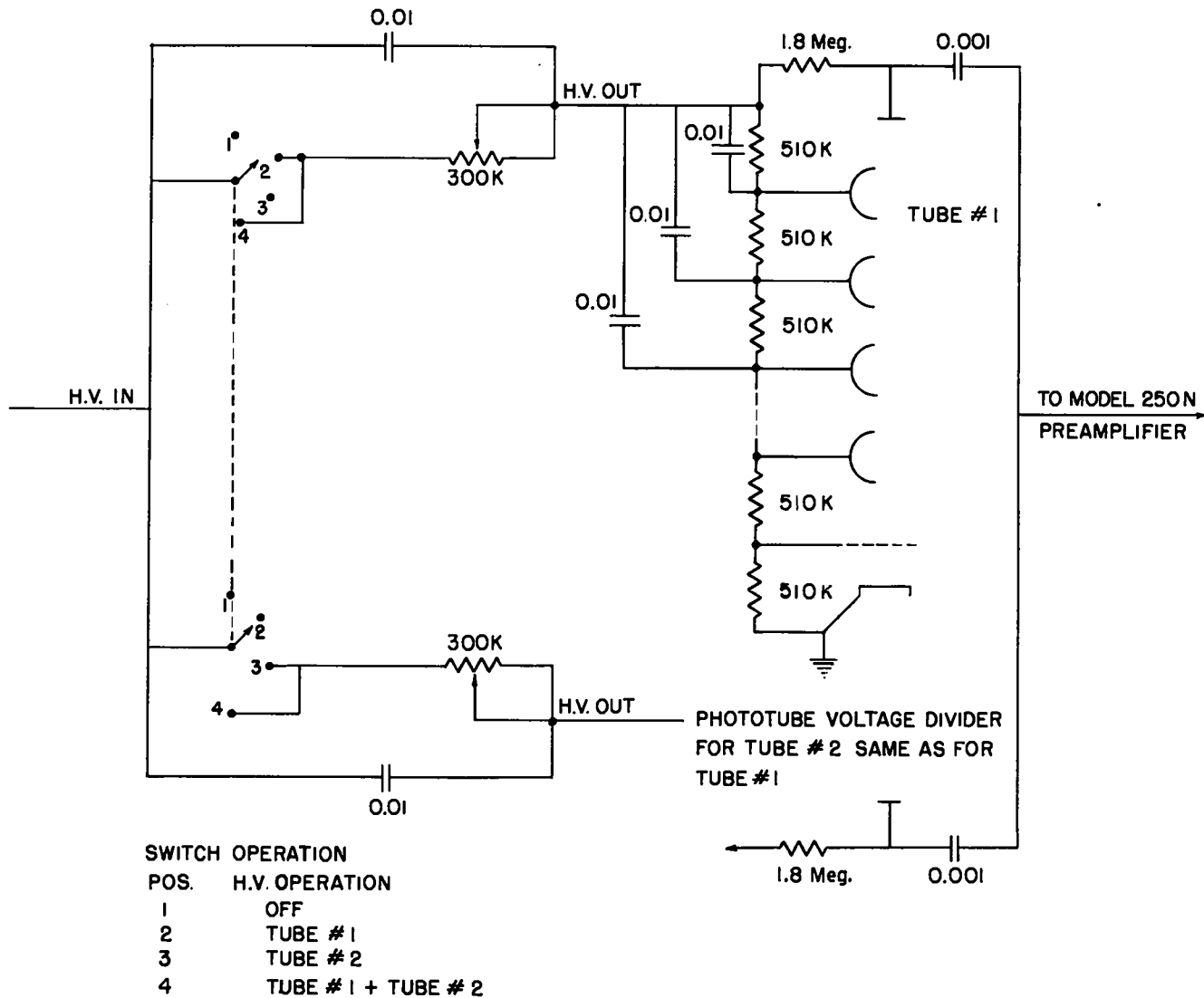


Fig. 4. The voltage divider and balancing circuits used with the counting shield K-2.

from Pu²³⁹ and U²³⁵. The composition of each foil is shown in Table 1. The foils were plated on a 10 mil nickel backing and surrounded by 5 mils of copper. The over-all dimensions of the foils were approximately 0.02 in. in thickness and 3/4 in. in diameter. Blank foils containing the nickel backing and copper can covering were also fabricated to serve as controls for extraneous activity not produced by fission when exposed to thermal neutrons for calibration. To evaluate the self-shielding and flux depression effect of these foils, 2 Au¹⁹⁷ foils 0.0005 in. thick and 1/2 in. in diameter were pasted on the surfaces with a small amount of Vaseline. The activity per unit mass of these thin Au¹⁹⁷ foils was then compared to a similar Au¹⁹⁷ foil exposed with no fission foil present. The factor was evaluated to be 1.07.

The fission foils were exposed to approximately 3×10^{11} thermal neutrons/cm² (10 per cent uncertainty). The decay curves are shown in Fig. 5. All measured fission activities were normalized to 3 hours post irradiation time. These "ratio curves" are shown in Fig. 6, with the evaluated calibration constants shown in Table 2. The cross sections used to evaluate the calibration constants are shown in Table 3 and are discussed in detail in Refs. 5 and 6. For flux evaluations, all measured fission gamma activities were also normalized to the 3 hour post irradiation time using the data in Fig. 6.

TABLE 1. FOIL MASS DATA FOR CALIBRATION OF THE DUAL COUNTING SHIELD K-2

Foil No.	Mass Pu ²³⁹ , mg	Mass U ²³⁵ , mg	Ratio $\frac{\text{Pu}^{239}}{\text{U}^{235}}$	Equivalent Mass Pu ²³⁹ , mg
P-2	10.1	--	--	10.1
N-2	5.2	7.0	0.74	10.4
U-2	8.6	4.0	2.15	11.6

TABLE 2. THREE HOUR CALIBRATION CONSTANTS FOR THE DUAL COUNTING SHIELD K-2

Gamma Ray Counter Energy Bias, Mev	Counter Calibration Constant K, n/cm ² /c/m/g		
	K _{Pu}	K _{Np}	K _U
0.51	4.60 x 10 ⁶	--	1.55 x 10 ⁷
1.2	2.25 x 10 ⁷	1.93 x 10 ⁷	7.40 x 10 ⁷

TABLE 3. EFFECTIVE CROSS SECTIONS IN B¹⁰ SPHERES* WEIGHTED FOR DIFFERENT FISSION SPECTRA

Foil Type	$(\sigma_{\text{eff}})_{\text{weighted}}$, barns	
	Godiva Spectrum**	Fission Spectrum**
Pu ²³⁹	1.78	1.80
Np ²³⁷	1.71	1.66
U ²³⁸	0.55	0.53

* For a 2 cm B¹⁰ sphere of 1.1 g/cm³ density.

** Both spectra were extrapolated from 200 to 0 kev (6) in these evaluations.

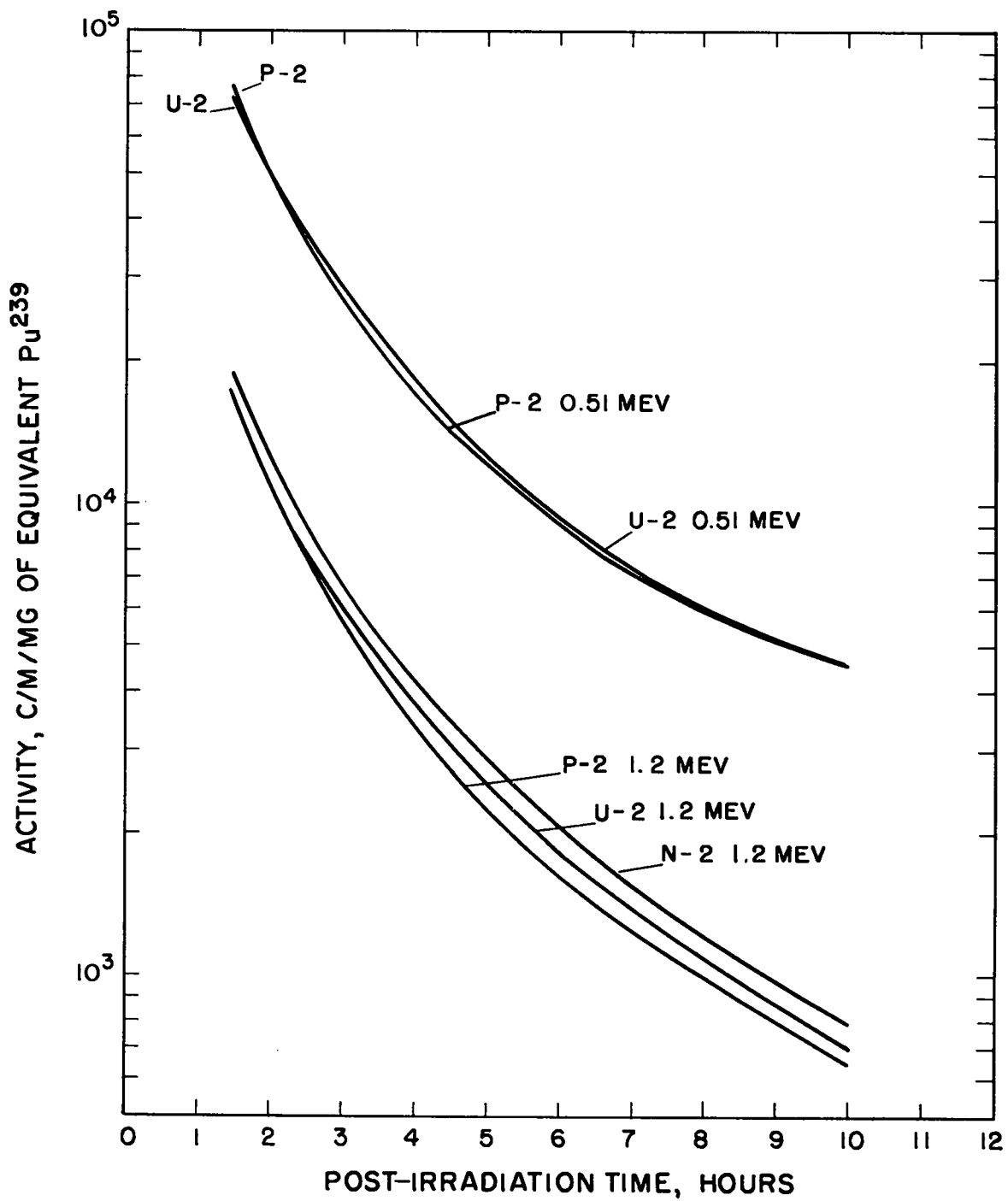


Fig. 5. Decay curves for equivalent foils of Pu²³⁹ (P-2), Np²³⁷ (N-2), and U²³⁸ (U-2).

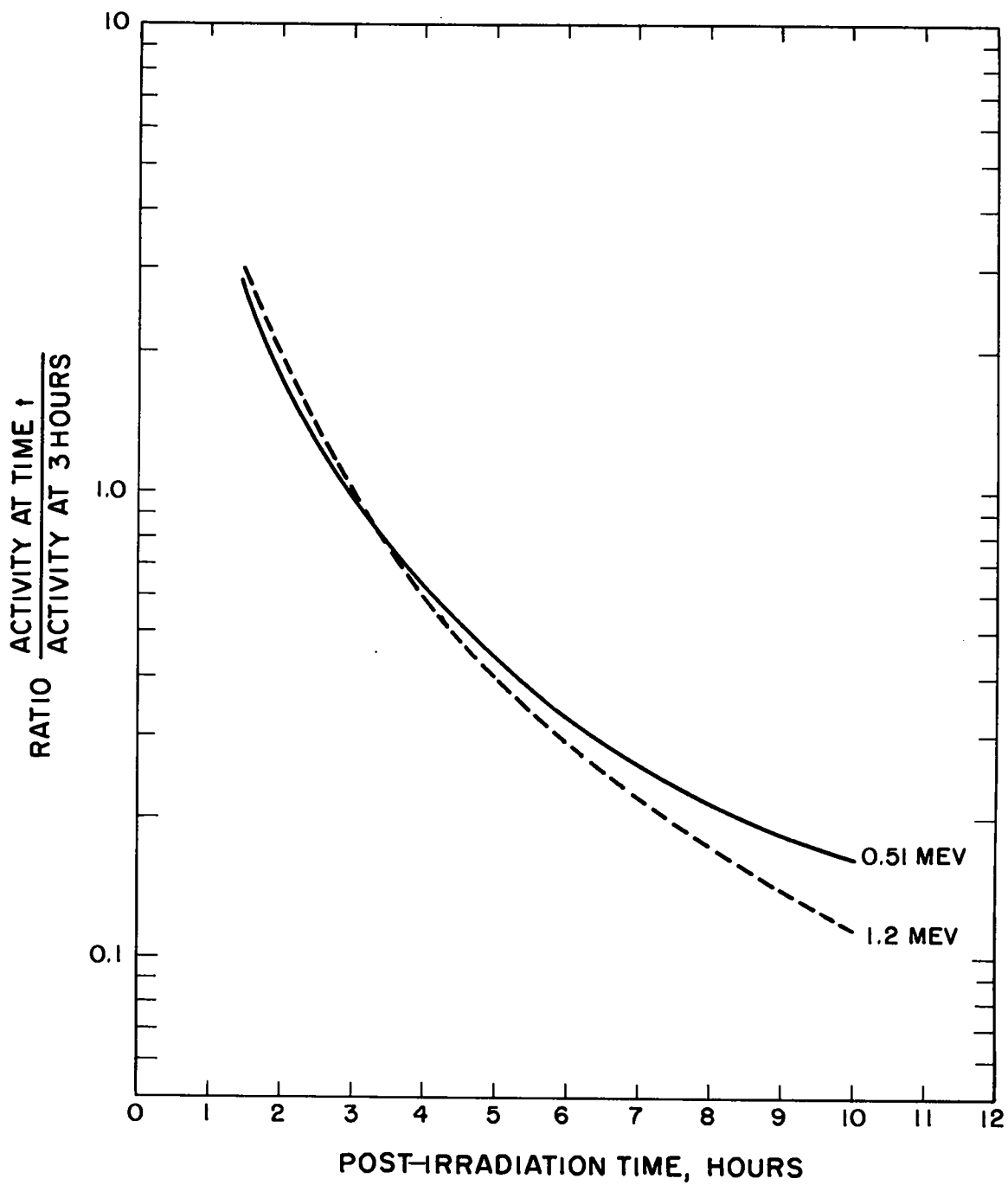


Fig. 6. Plutonium²³⁹ ratio curves normalized to 3 hours post irradiation time.

Usually five 1 minute counts were taken for each exposed foil. The counting time of each foil was spaced by approximately 1/2 hour.

2.2.2 Sulfur Pellet Beta Counter

The P^{32} induced activity in the sulfur pellet was measured using a 2 in. diameter, 5/32 in. thick, plastic scintillator covered with 0.002 in. of aluminum foil and connected to an RCA No. 6655 phototube. The output of the phototube was connected to an amplifier and scaler. The counter was intercalibrated against the HRL plastic beta scintillation counter (5). It had a calibration constant of 1.22×10^7 n/cm²/c/m (initial counting rate) for a standard pellet (corrected for the change in cross section from the 14 Mev reference energy to the 2.5 Mev effective threshold, assuming a fission spectrum).

2.2.3 Gold (Au¹⁹⁸) Gamma Counter

The induced activity in Au¹⁹⁸ was measured using a 1-3/4 in. diameter, 1-1/2 in. thick, thallium activated, sodium iodide crystal connected to an RCA No. 6655 phototube, amplifier, and scaler. A 1/16 in. aluminum absorber (400 mg/cm²) was interposed between the crystal and foil to eliminate any Au¹⁹⁸ beta ray activity. The counter was

intercalibrated against the HRL standard gold gamma counter (5). The gold counter used had a calibration constant of 2.16×10^5 n/cm²/c/m (initial counting rate) for a standard gold disc of 0.66 g.

2.2.4 Tissue Dose Evaluations

The neutron tissue dose (single collision) due to fast neutrons was calculated from the following formula, developed semi-empirically (6):

$$D_T = 1.28 \times 10^{-9} (F_{Pu} - F_{Np}) + 2.46 \times 10^{-9} (F_{Np} - F_U) \\ + 2.97 \times 10^{-9} (F_U - F_S) + 3.84 \times 10^{-9} (F_S) \quad (\text{Eq. 1})$$

where D_T = fast neutron tissue dose, rads

F_{Pu} = integral fast neutron flux measured by Pu²³⁹, n/cm²

F_{Np} = integral fast neutron flux measured by Np²³⁷, n/cm²

F_U = integral fast neutron flux measured by U²³⁸, n/cm²

F_S = integral fast neutron flux measured by S³², n/cm²

The coefficient before each parenthesis represents the average single collision tissue dose for the energy interval under consideration (i.e., between the thresholds of the detectors noted).

The thermal neutron tissue dose was estimated for a small biological object (20 to 30 g) by applying the conversion factor 5×10^{-11} rad/n/cm².

2.3 Gamma Dose Measurements

The dose from the gamma component was measured using the chemical dosimeter system which has been described previously (7). Briefly, it is composed of tetrachloroethylene overlayers with an aqueous pH indicator solution and contained in sealed 1 ml glass ampules. Gamma radiation induces a chemical chain reaction in the tetrachloroethylene which results in the production of acid. The amount of acid produced is directly proportional to the dose and is determined by spectrophotometric evaluation of the color changes produced in the indicator solution.

These dosimeters have a measurable response to fast neutrons which becomes quite important at high neutron to gamma ratios. One hundred rads of fast neutrons produces the same amount of acid as 4 roentgens of gamma radiation. The gamma dose, D_γ , in a mixed radiation field is thus

$$D_\gamma = R - 0.04 D_N \quad (\text{Eq. 2})$$

where R is the dosimeter response in gamma equivalent roentgens, and D_N is the tissue dose of fast neutrons in rads.

Response to thermal neutrons is eliminated by shielding the gamma dosimeters with 1/2 in. of lithium metal, which is contained in a double walled aluminum can.

CHAPTER 3

RESULTS AND DISCUSSION

Tables 4, 5, and 6 show the fast neutron flux versus distance relations, spectra, and neutron and gamma dose versus distance relations for 4 different distances from the center of the reactor. The data have been normalized arbitrarily to a kw-sec base. The thermal neutron data as a function of distance are shown in Table 7.

The neutron flux and tissue dose spectral evaluations indicate softer spectra than those observed with the Godiva II assembly (6). The measured gamma to neutron dose ratio is the lowest observed (~ 3 per cent) at any critical assembly tested thus far. These comparisons are shown in Table 8.

The estimated uncertainties for the tissue dose measurements are approximately 15 per cent, whereas the uncertainties in the gamma measurements are somewhat higher (25 per cent) due to the low gamma to neutron dose ratio observed and the fast neutron response factor.

TABLE 4. NEUTRON FLUX VERSUS DISTANCE RELATIONS FOR THE LITTLE EVA CRITICAL ASSEMBLY

Distance from Center, cm	n/cm ² /kw-sec x 10 ⁸			
	Pu ²³⁹ E _n > 0.004 Mev	Np ²³⁷ E _n > 0.75 Mev	U ²³⁸ E _n > 1.5 Mev	S ³² E _n > 2.5 Mev
50	22.6	7.42	3.80	1.51
75	8.45	3.50	1.60	0.682
100	4.57	1.68	0.753	0.298
150	3.02	1.19	0.377	0.168

TABLE 5. NEUTRON FLUX AND TISSUE DOSE SPECTRAL EVALUATIONS*
FOR THE LITTLE EVA CRITICAL ASSEMBLY

Energy Interval, Mev	Neutrons, per cent	Tissue Dose, per cent
0.004 - 0.75	62	43
0.75 - 1.5	22	28
1.5 - 2.5	9	15
>2.5	7	14

* Average of data in Table 4.

TABLE 6. NEUTRON AND GAMMA DOSE VERSUS DISTANCE RELATIONS
FOR THE LITTLE EVA CRITICAL ASSEMBLY

Distance from Center, cm	Neutron Tissue Dose, rads/kw-sec	Gamma Dose, roentgens/kw-sec
50	3.90	0.094
75	1.64	0.020*
100	0.838	0.025
150	0.550	0.010**

* Low value.

** Interpolated data.

TABLE 7. THERMAL NEUTRON FLUX VERSUS DISTANCE RELATIONS
FOR THE LITTLE EVA CRITICAL ASSEMBLY

Distance from Center, cm	Thermal Neutron Flux, $E_n < 0.5$ ev $n/cm^2 \times 10^7/kw-sec$	Cadmium Ratio*
50	2.35	2.2
75	2.60	2.6
100	2.28	3.0
150	2.03	2.7

* Defined as $\frac{\text{bare gold activity/mass}}{\text{cadmium covered gold activity/mass}}$

TABLE 8. COMPARISON OF LITTLE EVA AND GODIVA II NEUTRON FLUX AND TISSUE DOSE SPECTRA

Energy Interval, Mev	Neutrons in Energy Interval, per cent		Tissue Dose in Energy Interval, per cent		Dose Ratio, Gamma (r) Neutron (rads)	
	Little	Eva Godiva II	Little	Eva Godiva II	Little	Eva Godiva II
0.004 - 0.75	62	43	43	24		
0.75 - 1.5	22	22	28	24		
1.5 - 2.5	9	17	15	21	0.03	0.12*
>2.5	7	18	14	30		

* An average of 3 different methods of measurement: graphite-CO₂ ionization chamber (5), 0.09; tetrachloroethylene chemical dosimeters (7), 0.15; and hexafluorobenzene plus 9,10-diphenylanthracene organic scintillator (8), 0.12.

REFERENCES

- (1) Young, D. S., Los Alamos Scientific Laboratory Report LA-1487 (May 1952).
- (2) Hurst, G. S., J. A. Harter, P. N. Hensley, W. A. Mills, M. Slater, and P. W. Reinhardt, Rev. Sci. Instr. 27, 153 (1956).
- (3) Reinhardt, P. W. and F. J. Davis, Health Phys. 1, 169 (1958).
- (4) Hurst, G. S. and R. H. Ritchie, Oak Ridge National Laboratory Report ORNL-2748, Part A (November 1959).
- (5) Sayeg, J. A., E. R. Ballinger, and P. S. Harris, Los Alamos Scientific Laboratory Report LA-2310 (March 1959).
- (6) Sayeg, J. A., Los Alamos Scientific Laboratory Report LA-2432 (April 1960).
- (7) Ott, D. G., Los Alamos Scientific Laboratory Report LA-2249 (August 1958).
- (8) Williams, D. L. and F. N. Hayes, Los Alamos Scientific Laboratory Report LA-2375 (November 1959).