

UNCLASSIFIED

PUBLICLY RELEASABLE

Per G. Biggs, FSS-16 Date: 5-9-96
By L. Kolden, CIC-14 Date: 5-23-96

CIC-14 REPORT COLLECTION
REPRODUCTION
COPY

LA - 611



(13)

November 18, 1946

This document contains 20 pages

ENERGY DISTRIBUTION OF THE FRAGMENTS RESULTING FROM
THE FISSION OF U²³⁵ BY SLOW AND BY FAST NEUTRONS

Work Done By:

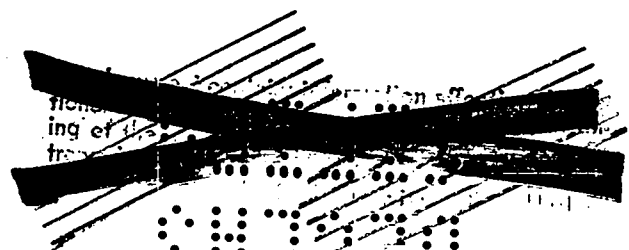
J. L. Fowler
Stanley Hall
Louis Rosen

Report Written By:

J. L. Fowler
Louis Rosen

Classification changed to UNCLASSIFIED
by authority of the U. S. Atomic Energy Commission
Per Jack H. Kahn 4-26-57
J. Marting
5-2-57
By REPORT LIBRARY

LOS ALAMOS NATIONAL LABORATORY
3 9338 00330 3749



PUBLICLY RELEASABLE
LANL Classification Group

MAY 9 1996

UNCLASSIFIED

CONFIDENTIAL

UNCLASSIFIED



ABSTRACT

The distribution of energies of the fragments from ^{235}U fission produced by slow and by fast neutrons were compared. Energy was determined by using a ten-channel amplitude discriminator to analyze pulses from a Frisch-grid ionization chamber. No difference was found outside the experimental error. The energy distribution of the fragments from thorium fission was also determined. The high-energy tails of the distributions were especially investigated for the purpose of detecting the occurrence of triple fission. This indicated a negative result. A possible correlation between the most probable mode of disintegration of the nucleus and its atomic number suggests itself.



UNCLASSIFIED

CONFIDENTIAL

LOS ALAMOS NATL. LAB. LIBS.

 3 9338 00330 3749

SECRET

UNCLASSIFIED

ENERGY DISTRIBUTION OF THE FRAGMENTS RESULTING FROM
THE FISSION OF U²³⁵ BY "SLOW" AND BY "FAST" NEUTRONS

1. INTRODUCTION

A considerable number of experiments have been performed in which the primary objectives were to measure the kinetic energy liberated in the fission of U and to determine how this energy is distributed between the fission fragments.¹⁻¹¹⁾ Of all these studies, the only ones which are in good agreement on the details of the energy distribution of the fission fragments are those of Jentschke and Deutsch.

In virtually all of the investigations made to date, where the energies of the individual fission fragments were determined, the experimental procedure involved the photographing and subsequent measuring of the ionization pulses produced by the fission fragments - a procedure which necessarily limits the statistical accuracy of the results.

-
- 1) M. Deutsch, LA-510.
 - 2) J. E. Brolley, CN-1840.
 - 3) M. H. Kenner and H. H. Barchall, Phys. Rev. 57, 372 (1940).
 - 4) W. Jentschke, Zeit. fur Physik 120, 165 (1943).
 - 5) A. Flammersfeld, Zeit. fur Physik 120, 450 (1943).
 - 6) W. Jentschke and F. Frankl, Phys. Zeits, 40, 706 (1939).
 - 7) G. V. Droste, Naturwiss 27, 198 (1939).
 - 8) M. C. Henderson, Phys. Rev. 56, 703 (1939).
 - 9) O. Haxel, Zeits. for Physik 112, 681 (1939).
 - 10) E. T. Booth, J. R. Dunn, G. G. Black, Phys. Rev. 55, 981 (1939).
 - 11) E. T. Booth, J. R. Fanning and G. G. Black, Phys. Rev. 55, 982 (1939).

UNCLASSIFIED

SECRET

UNCLASSIFIED

- 4 -

The present investigation was undertaken for three reasons:

(1) To obtain the energy distribution curve for the fission fragments from U^{235} by the use of an electronic method for measuring and counting the ionization pulses produced by these fragments in an ionization chamber;

(2) To determine whether the energy distribution curve is a function of incident neutron energy;

(3) To investigate the high-energy portion of the curve for any indication of additional peaks which one might expect if some atoms divided into more than two fragments.

Item (2) has been investigated to a certain extent by D. Frisch for isotope 92, 237.¹²⁾ He found that the distribution of the fragments in the high-energy peak was the same to the accuracy of his measurements when the fission was produced by neutrons of three different energies: 500 Kev, 720 Kev, and 900 Kev.

2. EXPERIMENTAL METHOD

The method used in the present experiments was fundamentally the same as that used in preceding experiments; namely, the comparison of the ionization produced by the individual fission fragments with the ionization produced by α -particles of known energy.

The ionization chamber, Fig. 1, was of the electron-collection type. The screen, which shields the collecting electrode from the positive

12) D. H. Frisch, LAES - 354.

SECRET

UNCLASSIFIED

SECRET

- 5 -

ions, was made of #36 parallel copper wires spaced 1.5 mm apart. The high-voltage electrode was kept at 2150 volts while the screen was kept at 1050 volts. This made the field between the screen and collecting electrode slightly higher than the field outside the screen. However, this was desirable in order to insure that the screen capture a minimum of electrons.

In order to obtain the energy spectrum of the fission fragments, the chamber was filled with argon to a pressure of 232 cm Hg. This pressure was more than sufficient to stop the highest-energy fission fragments before they reached the grid. The gas was continuously purified by circulating it over calcium metal at 300° C. Also for the sake of purity, the only organic material inside the counter consisted of several rubber washers which exposed very little surface to the gas in the chamber.

The saturation voltage for the ionization chamber was established by determining the position of the energy peaks of the fission fragment energy spectrum as a function of voltage. When a voltage was reached above which the position of the peak no longer shifted, it was assumed that the chamber was saturated. The counter was operated ~ 500 volts above the saturation voltage.

The recording equipment consisted of a 10-channel discriminator, each channel having such a width as to accept pulses over a range of ~ 0.8 Mev for the amplification used. It was possible to shift the bias of all the channels by the same amount so that the entire energy spectrum could be obtained, 9 points at a time. The channel widths had a tendency to drift ± 5 percent over periods of several hours, but much of this error was eliminated by calibrating the channels every 30 minutes. A

SECRET

..

- 6 -

check could always be had on the effectiveness of this procedure as a result of the fact that when the bias on the chamber was shifted, channels 1, 2, and 3 on the new position overlapped channels 7, 8, and 9 of the preceding setting. When everything operated properly the overlapping channels gave values within ± 3 percent of each other. The 10-channel discriminator was fed by a "model 100" amplifier, which in turn was fed by a "model 100" pre-amp adjoining the ionization chamber. The so-called "model 100" amplifier was stabilized by inverse feed-back and had a rise time of 0.5μ s. Instead of using an P.C. clipping circuit at the input of the amplifier, the incoming pulse was reduced to $1/5$ its size after 9μ s, step fashion, by superimposing on this signal its inverse reflection. This was accomplished by using a shorted delay line. The 9μ s clipping time appeared to be about three times as great as the electron collection time. The amplifier and 10-channel discriminator was shown to be linear, by use of a precision pulser, to within ± 1 percent.

The neutron source used for these experiments was the Los Alamos cyclotron, using the $\text{Be}^9(d,n)\text{B}^{10}$ reaction. For the "slow" neutron experiments, the counter was shielded by 9 inches of paraffin on two sides and by 23 inches of paraffin on the side facing the target (the fourth side faced the cyclotron water tanks). There was also 4 inches of paraffin above the counter and 4 inches below it. For irradiation by "fast" neutrons, the counter was surrounded by a layer of Cd, then by 4 inches of boron and the whole assembly placed inside a paraffin, boron, Cd box, a cross-section of one of the walls of which is shown in Fig. 2. In order to arrive at some estimate of the ~~energy~~ distribution of the so-called "fast" neutron flux, a 28 foil was substituted for the 25 foil and the

.

SECRET

- 7 -

number of fissions for an equivalent beam intensity was determined. From the known cross-sections of 25 and 28 and from the known amounts of active material on the foils, one can arrive at a rough approximation of the energy distribution of the incident neutrons. It turns out that approximately 10 percent of the "fast" flux is comprised of neutrons having energies in excess of 1 Mev while very few of the remainder have energies of less than 1000 ev.

The determination of the energy of the fission fragments in terms of the ionization produced was made on the assumption that α -particles expend the same energy in producing an ion pair as do the fission fragments. In order to determine the ionization produced by U^{234} alpha particles, it was necessary to increase the pressure in the chamber, by the addition of argon, to 290 cm Hg so as to stop all the alphas before they reached the grid (the fission fragment energy spectrum was checked at this pressure with no resulting change in the position of the peaks). The ratio of the pulse sizes due to the fission fragments, at various points of the energy spectrum curve, to the pulse size due to the U^{234} alphas was established by calibrating the amplifier and 10 channel discriminator with a precision pulser.

The width at half-maximum of the α -particle distribution, Fig. 3, serves as a measure of the resolution of the ionization chamber. The noise level, due to the ionization noise and amplifier noise, was equivalent to a particle energy of 0.4 Mev (the best previous work was done by Deutsch who had a noise level corresponding to a particle energy of 1.5 Mev).

SECRET

CONFIDENTIAL

- 8 -

Two foils of 94 percent U^{235} were investigated. These were mounted on 10-mil platinum and contained 0.332 mg and 0.19 mg of metal uniformly distributed over 3.14 cm^2 and 7.07 cm^2 , respectively. The foils were made by Group CMR-4, using the Zapon technique.

The reason for investigating two foils of different thicknesses was to attempt to obtain data which would aid in correcting for the finite thickness of the foil. Jentschke calculated that for a foil thickness of 0.04 mg/cm^2 , one Mev should be added to the energies of the light and heavy fragments. Since this thickness of foil is slightly greater than the thickness of our thin foil, it would seem that such a correction would be in order for our data, except for the fact that in our case almost half of this error is compensated by the energy loss of the alpha particles used for calibration. This would leave a correction of slightly more than 0.5 Mev to be added to the energy of the light and heavy fragments and this is well within the experimental error. It is therefore not surprising that no difference can be detected between the curves for the foils of thicknesses 0.026 mg/cm^2 and 0.106 mg/cm^2 as far as the position of the peaks is concerned.

3. RESULTS

Characteristic sets of determinations of the fission fragment distribution as a function of energy for "slow" and for "fast" neutrons are plotted in Figs. 4 and 5. As a check on these curves, it was determined that the area under each of the two peaks in each curve was the same to within 4 percent. Table I compares the results given here with the best values previously obtained.

CONFIDENTIAL

CONFIDENTIAL

- 9 -

There seems to be no significant differences between the curves for "fast" and for "slow" neutrons, although the minimum in the case of the "fast" neutrons appears to be ~ 1.5 percent higher than the minimum in the case of the "slow" neutrons.

No extra peaks are discernable in the high-energy region for fast or for slow neutrons. In order to check this conclusion for high-energy neutrons (up to 26 Mev), a Li target, made by Stanley Hall, was substituted for the Be target at one stage of the experiment - the curve still showed no signs of extra peaks. The data permit one to conclude that if certain atoms break up into more than two fragments, this phenomenon occurs less frequently than once in 1000 fissions.

The energy distribution of the fission fragments for Th²³³ was also determined. The Th foil was also prepared by Group CMR-4 using the Zapon technique. This curve is given in Fig. 6. Also this experiment had previously been performed by Jentschke. His results are given in Fig. 7. Jentschke arrived at a curve very similar to his curve for U²³⁵, Fig. 8. Table I also shows a comparison between our results and Jentschke's results for Th. It should be pointed out that our foil was relatively thick (0.14 mg/cm²) while Jentschke's foil contained only 0.04 mg/cm². This probably accounts for our discrepancy as regards the minimum between the two peaks, in view of the difference in minima obtained for the two foils of U²³⁵ (Table I), which foils differed in thickness by a factor of ~ 3 . Considerable difference exists between the spectra for the Th, aside from the difference in minima. It should be pointed out, however, that Jentschke's curves are determined with very great accuracy, the statistical error of his high-energy peak being $\sim 1\%$. Further experiments will be

SECRET

resorted to, in order that this discrepancy may be resolved, as soon as a 10-channel discriminator can again be procured.

It is of considerable interest to compare the energy distribution of fragments for all the different isotopes measured. This involves comparing the results of several different experimenters. Perhaps the most reliable quantity determined is the ratio of energy of the high-energy peaks to that of the low-energy peaks, since this quantity depends on the linearity of the detecting apparatus and not on an absolute-energy scale. Due to conservation of momentum, this ratio gives also the ratio of the masses of the fragments for the most probable mode of fission. This is not quite true because of the momentum of the prompt neutrons emitted during the fission process, however, only a slight error is introduced on this account particularly if the neutrons are emitted with about equal probability by both fragments. Table II gives the ratio of the peak energies for five isotopes. There seems to be a considerable discrepancy between the value of the ratio as determined by different investigations. In the case of Deutsch's experiment in which both fragments of a pair are measured, by use of a double counter, the most probable ratio of the energies of a pair seems to be somewhat lower than the most probable ratio of peak energies. The former value of the ratio seems to be in better agreement with the results of Jentschke and of this report in the case of U^{235} . All the separate experiments, however, show a tendency for the fission to become more symmetrical as the atomic number of the original nucleus is increased. Holding the atomic number constant and increasing the atomic weight does not seem to effect the assymetry as markedly. A consistent set of data with good statistics on all the isotopes, however, is needed to establish this apparent variation of assymetry of fission with change of the nucleus.

SECRET

TABLE I

	Position of high-energy peak (Mev)	Position of low-energy peak (Mev)	Width at half maximum for high-energy peak (Mev)	Width at half maximum for low-energy peak (Mev)	Ratio of minimum to high-energy peak (%)	Ratio of peak energies	Ratio of peak heights	Foil thickness (mg/cm ²)
<u>U²³⁵ - Slow neutrons</u>								
Jentschke's values	95.5	65	13	20	5	1.47	1.49	.04
Deutsch's values	94	60	11	18	12.5	1.56	1.57	.001
Our values	92.5 93	61.2 61.8	15 17.8	24.5 25.5	14.4 21	1.50 1.50	1.46 1.43	.029 .105
<u>U²³⁵ - Fast neutrons</u>								
Our values	92.5	62	14.7	25	16.1	1.49	1.44	.001
<u>Th²³²</u>								
Jentschke's values	91	60	14.6	23.3	20	1.51	1.5	.04
Our values	92.6	58.3	19.1	23	24	1.59	1.12	.14

APPROVED FOR PUBLIC RELEASE

APPROVED FOR PUBLIC RELEASE

.. .. .
 0110

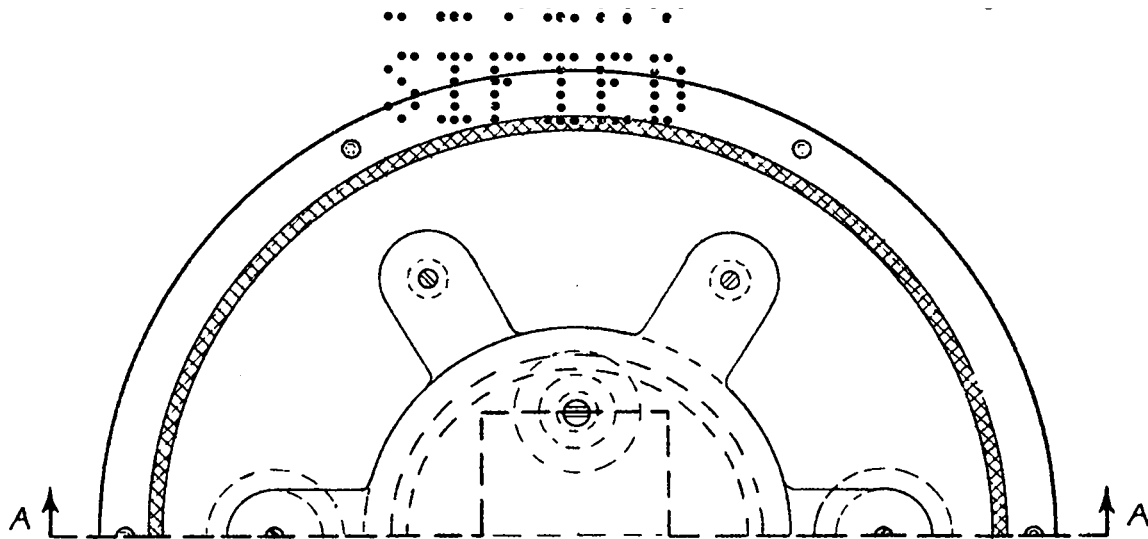
TABLE II

<u>Isotope</u>	<u>Investigator</u>	<u>Ratio of energy of high-energy peak to low- energy peak</u>	<u>Most probable ratio of energy of fragments</u>
Th_{90}^{232}	Jentschke (4)*	1.51	
	This report	1.59	
U_{92}^{233}	Deutsch (1)	1.61	1.52
U_{92}^{235}	Jentschke (4)	1.47	
	Deutsch (1)	1.57	1.49
	This report	1.51	
U_{92}^{238}	Kanner and Barshall (3)	1.52	
Pu_{94}^{239}	Deutsch (1)	1.43	1.32

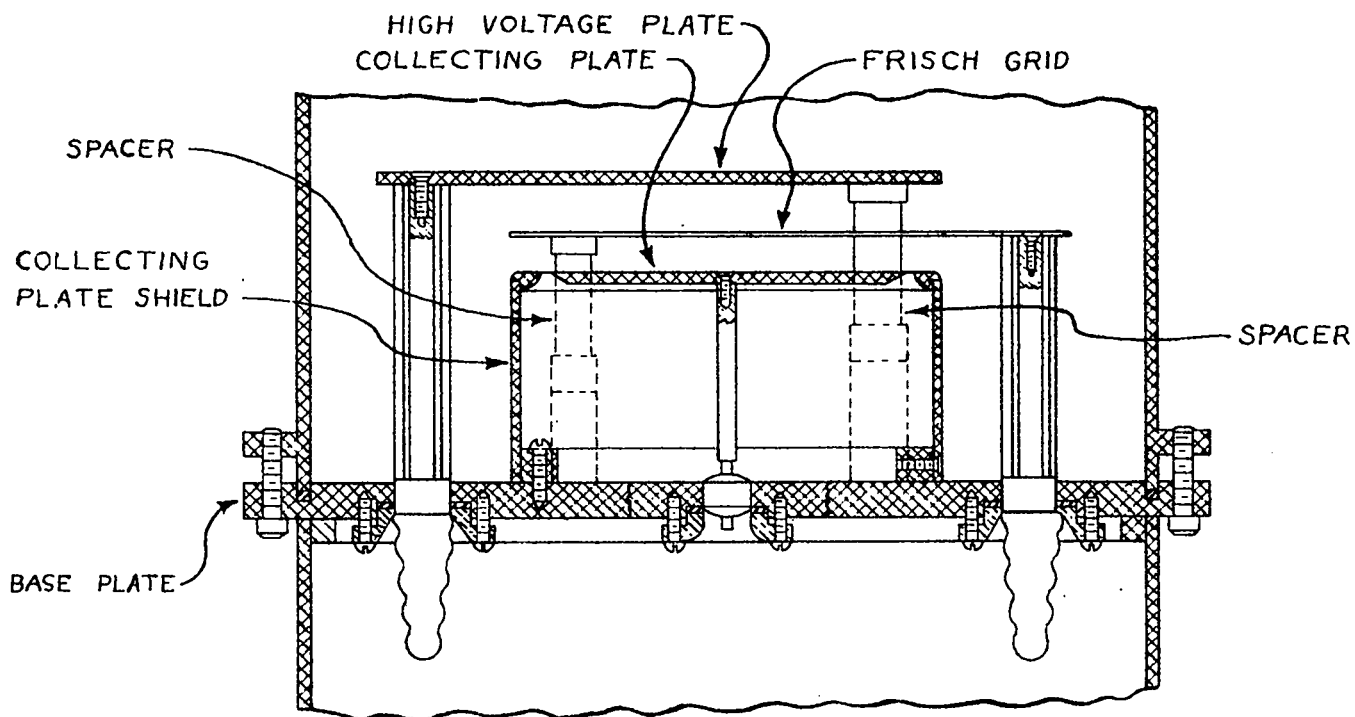
* Reference numbers Page 3.

0110

0110



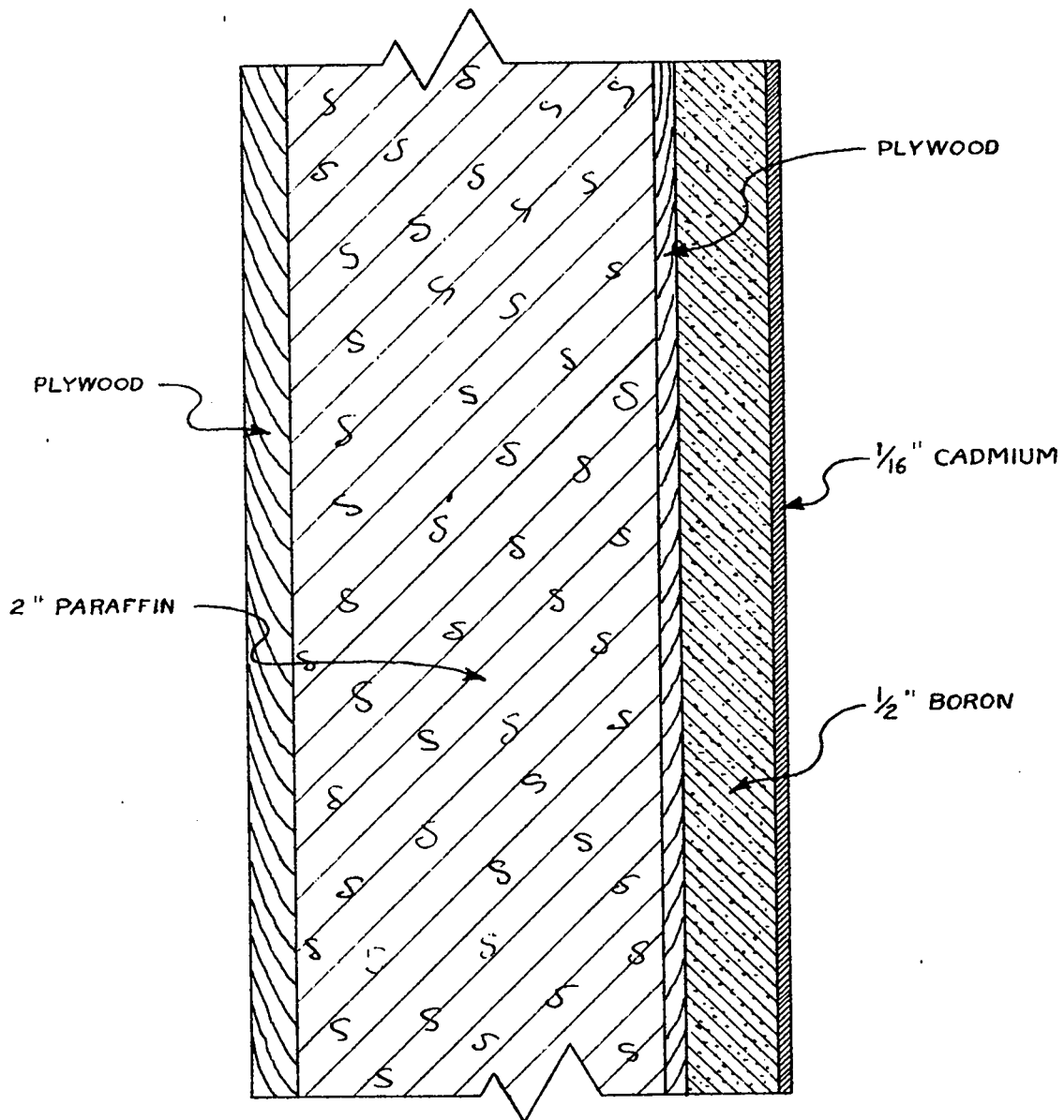
1/2 PLAN



SECTION AT "A-A"

FIG. 1

SECRET



WALL CROSS-SECTION OF
PARAFFIN - BORON - CADMIUM "ICE BOX"

FIG. 2

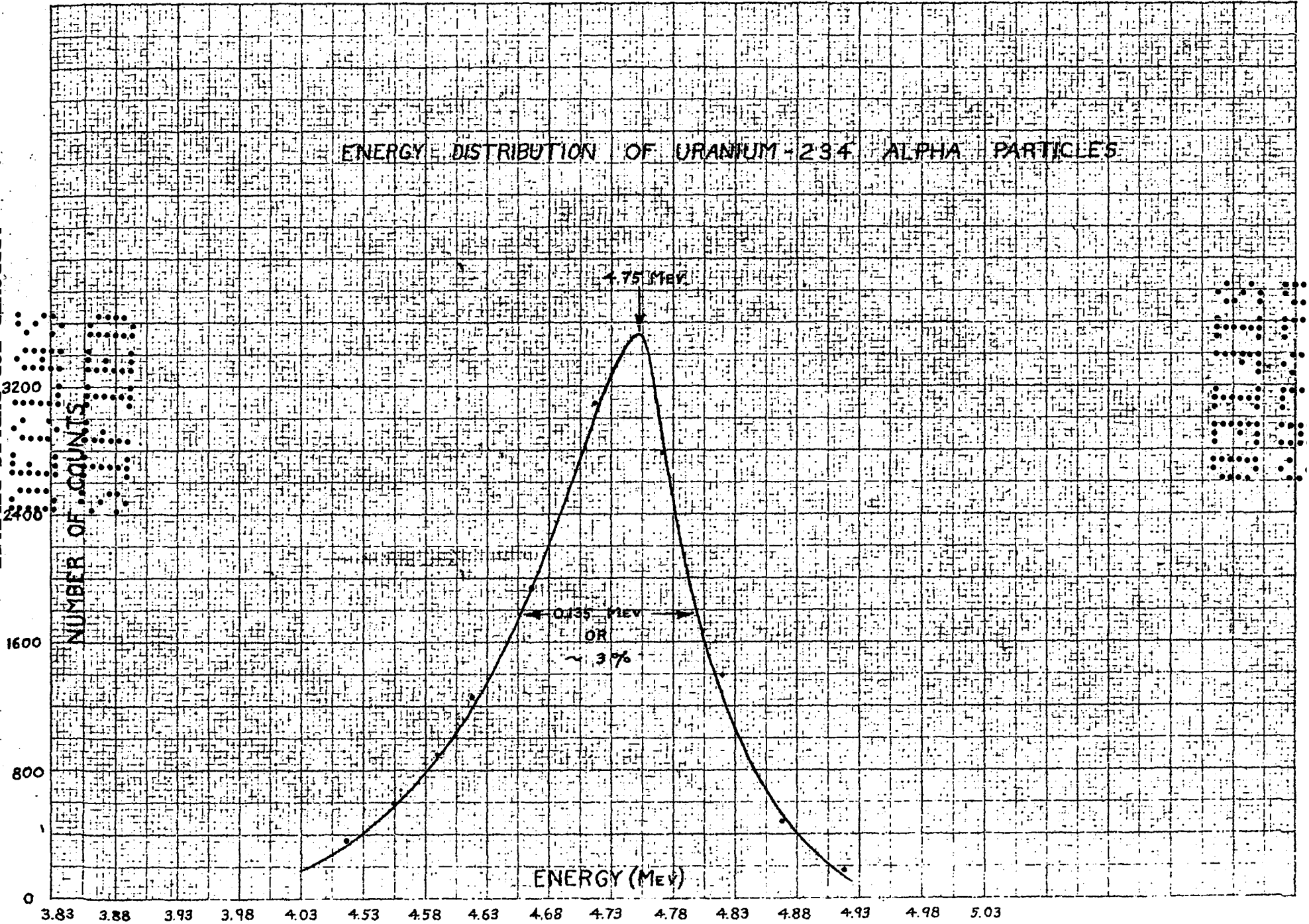
SECRET

SECRET

ENERGY DISTRIBUTION OF URANIUM-234 ALPHA PARTICLES

APPROVED FOR PUBLIC RELEASE

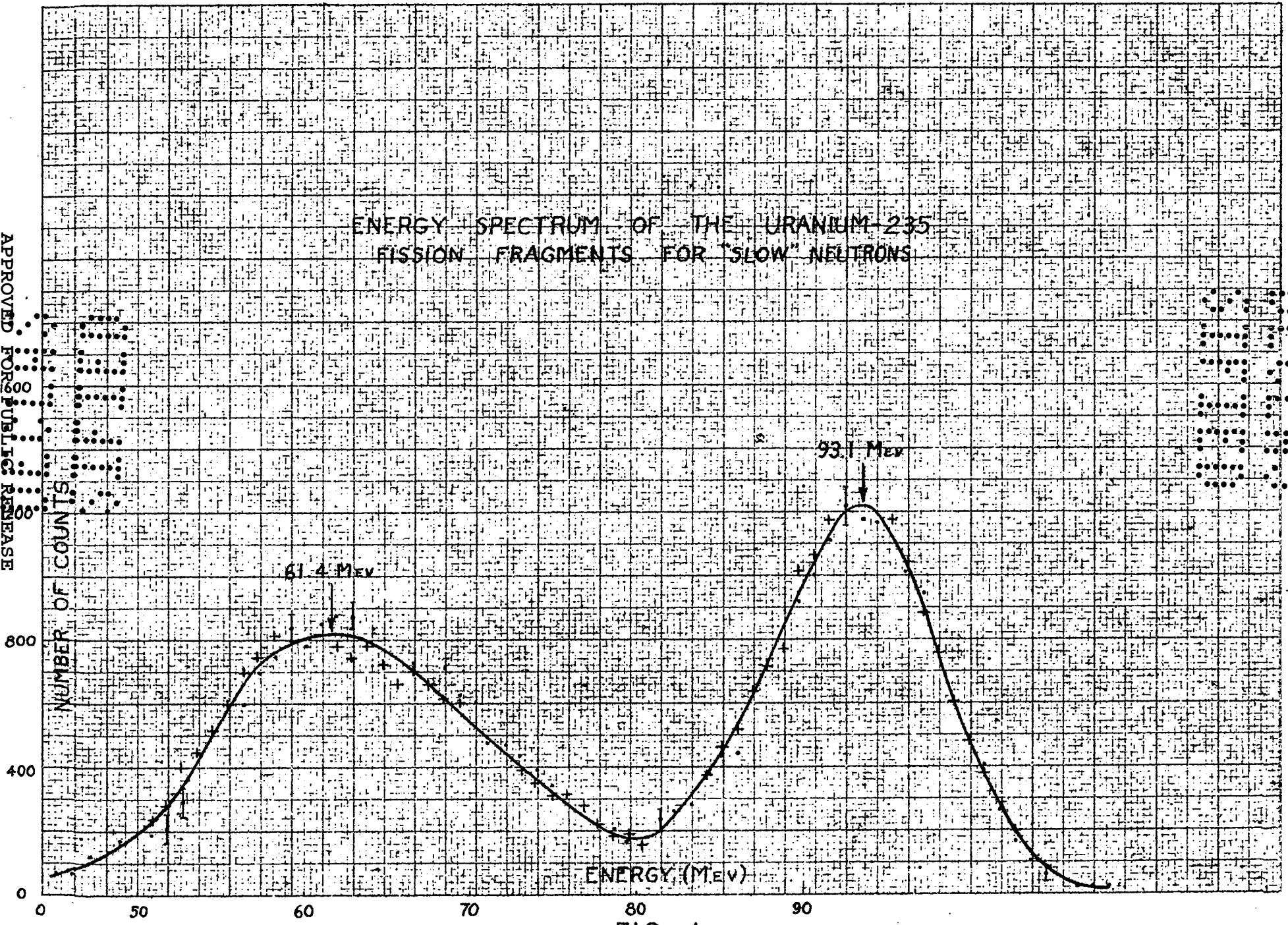
APPROVED FOR PUBLIC RELEASE



APPROVED FOR PUBLIC RELEASE

APPROVED FOR PUBLIC RELEASE

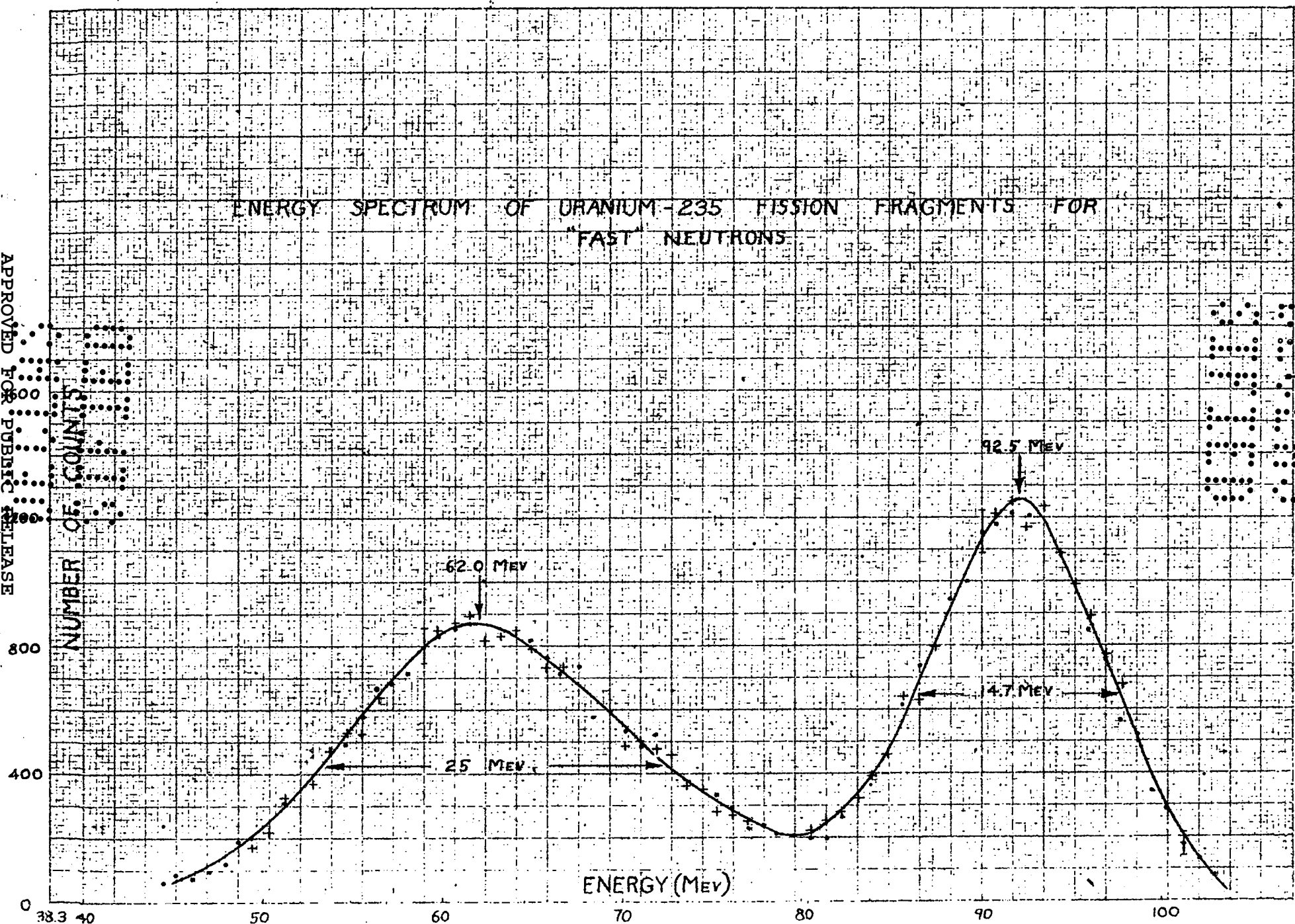
ENERGY SPECTRUM OF THE URANIUM-235 FISSION FRAGMENTS FOR "SLOW" NEUTRONS



APPROVED FOR PUBLIC RELEASE

APPROVED FOR PUBLIC RELEASE

ENERGY SPECTRUM OF URANIUM-235 FISSION FRAGMENTS FOR "FAST" NEUTRONS



ENERGY (MeV)

FIG. 5

APPROVED FOR PUBLIC RELEASE

APPROVED FOR PUBLIC RELEASE

ENERGY SPECTRUM OF THORIUM-232 FISSION FRAGMENTS

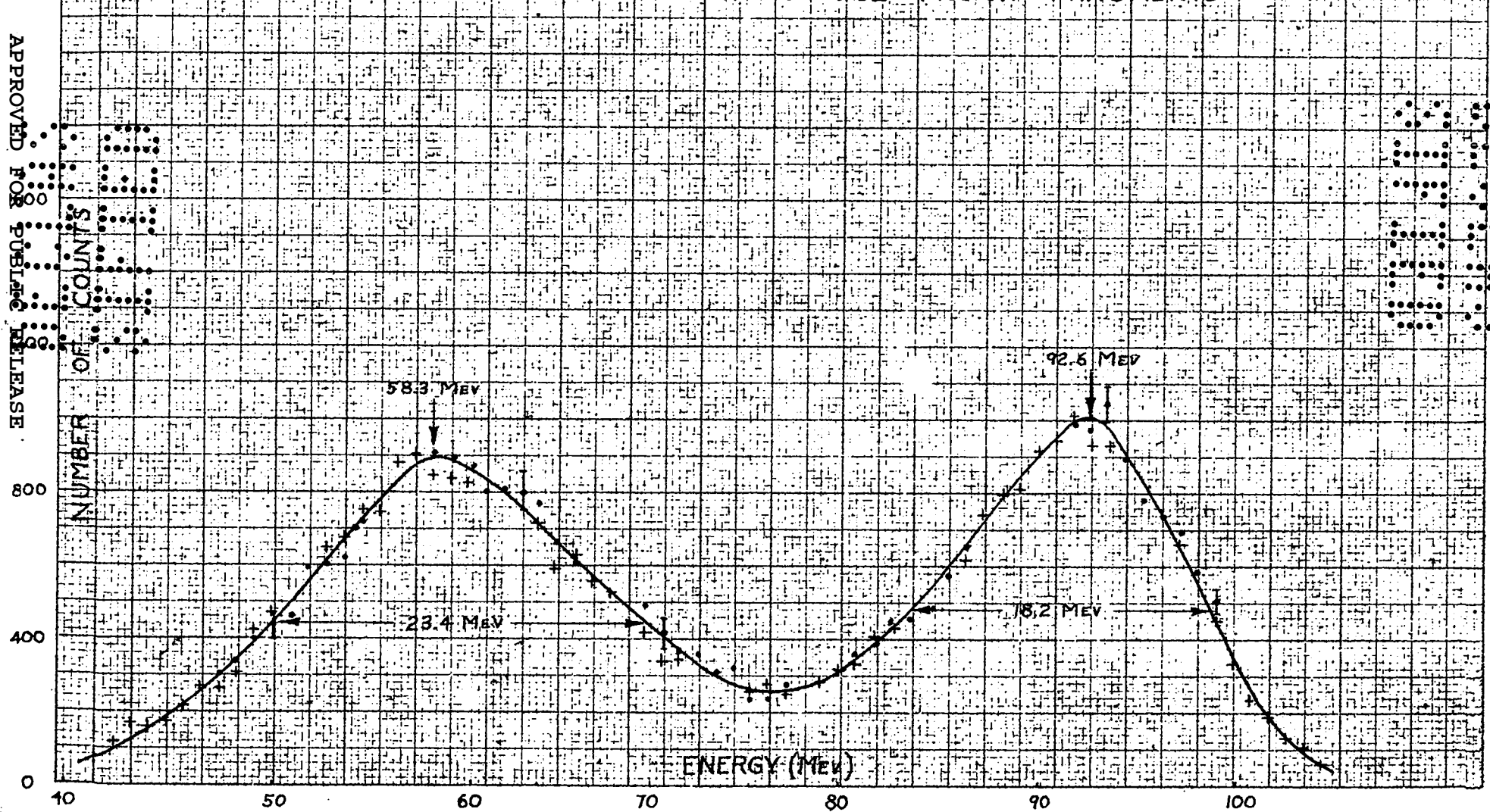


FIG 6

JENTSCHKE'S CURVE FOR URANIUM - 235

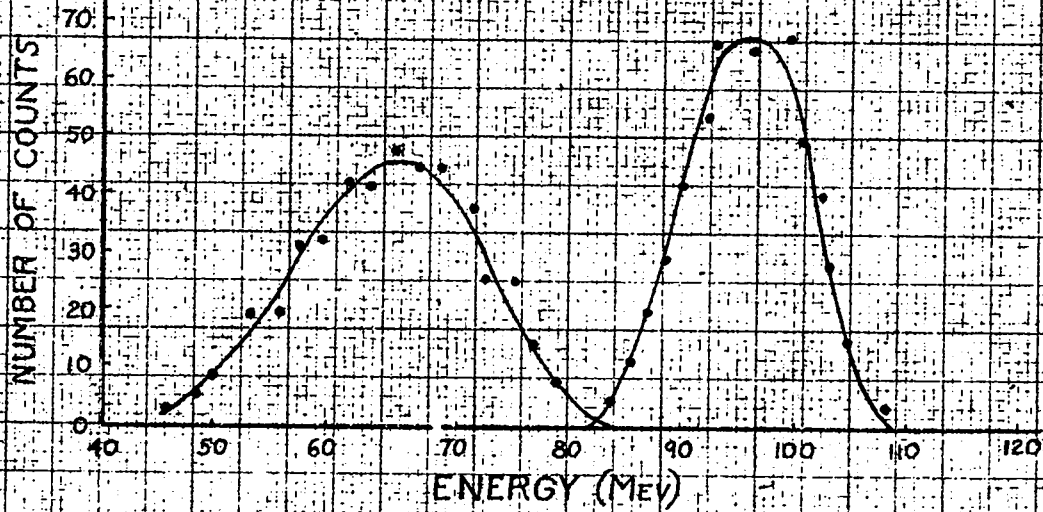


FIG. 7A

APPROVED FOR PUBLIC RELEASE

APPROVED FOR PUBLIC RELEASE

JENTSCHKE'S CURVE FOR THORIUM - 232

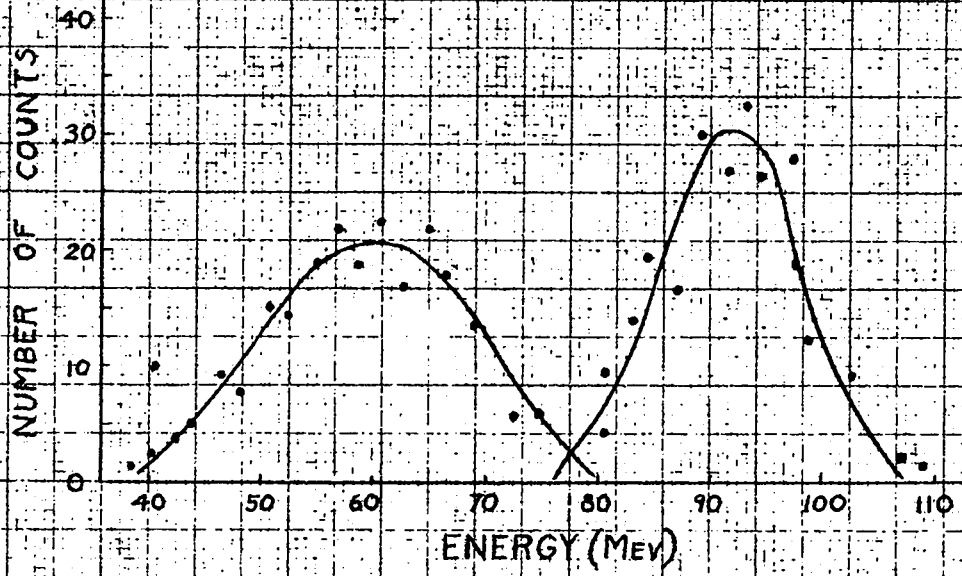


FIG. 7B

APPROVED FOR PUBLIC RELEASE

APPROVED FOR PUBLIC RELEASE

UNCLASSIFIED

SECRET

Jm
11/25/46

UNCLASSIFIED

SECRET